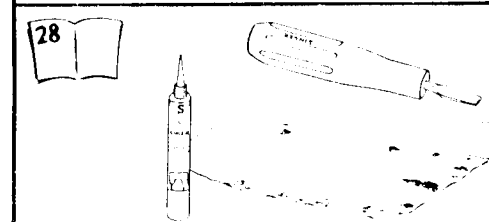
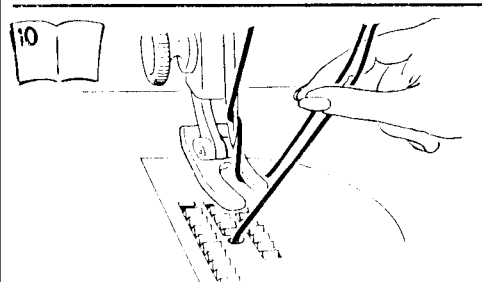
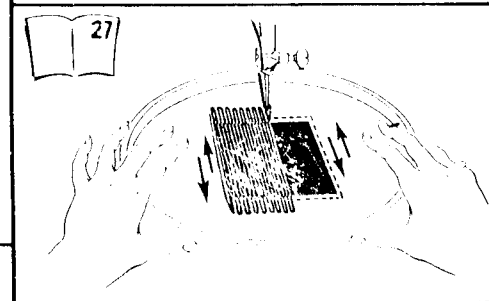
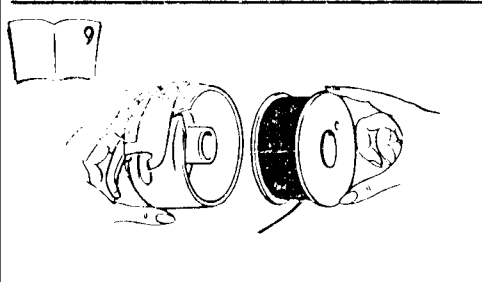
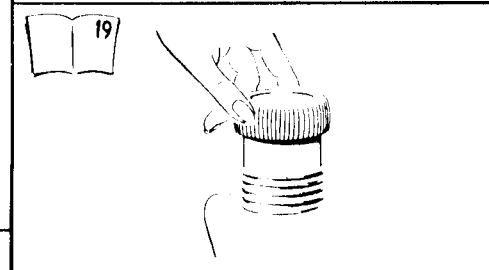
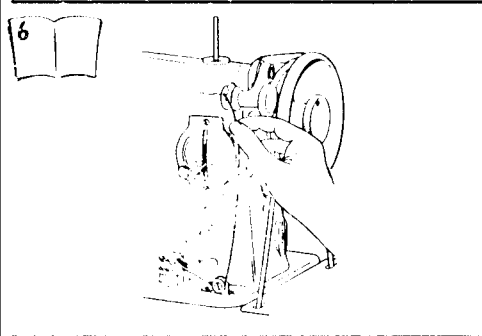
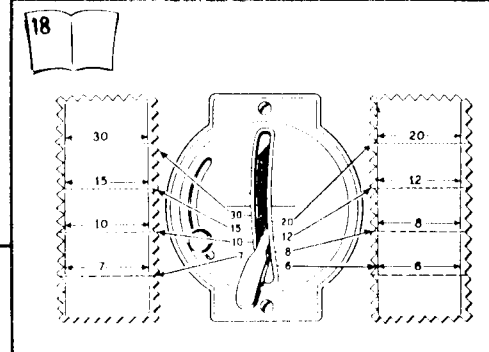
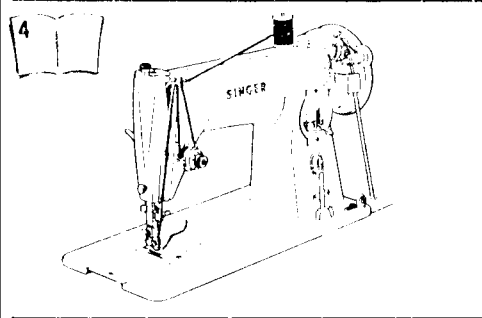
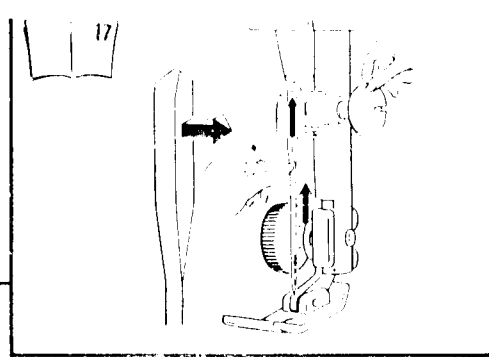
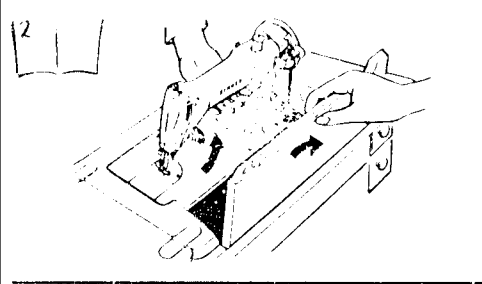


SINGER
191K, 191K2, 191K3

Form K6271
(461)



SINGER^{*}

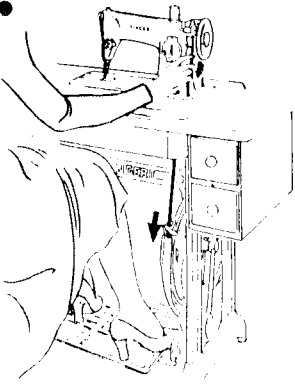
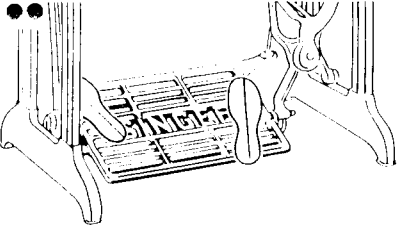
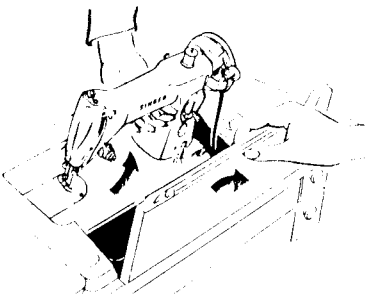
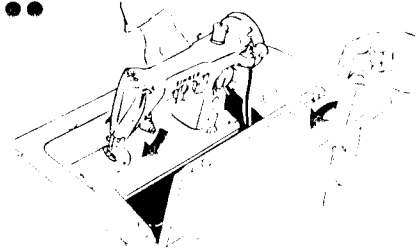
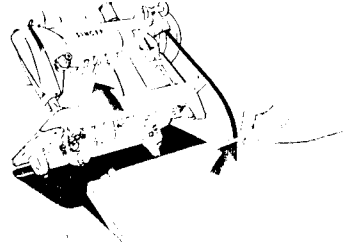
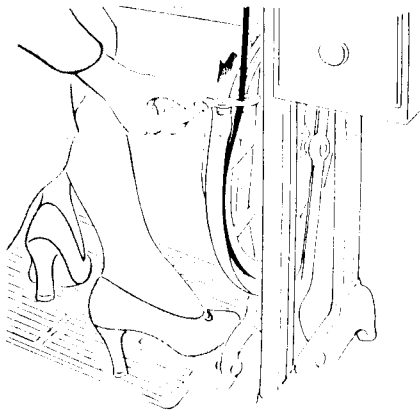
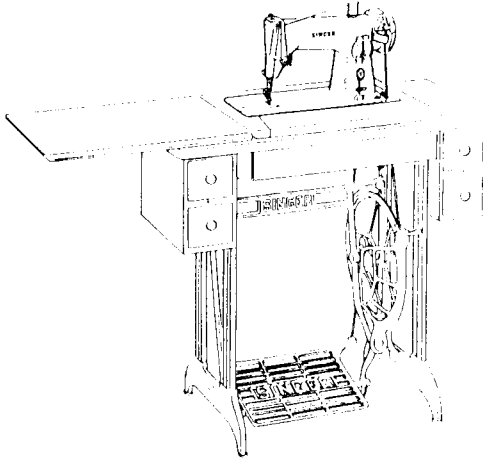
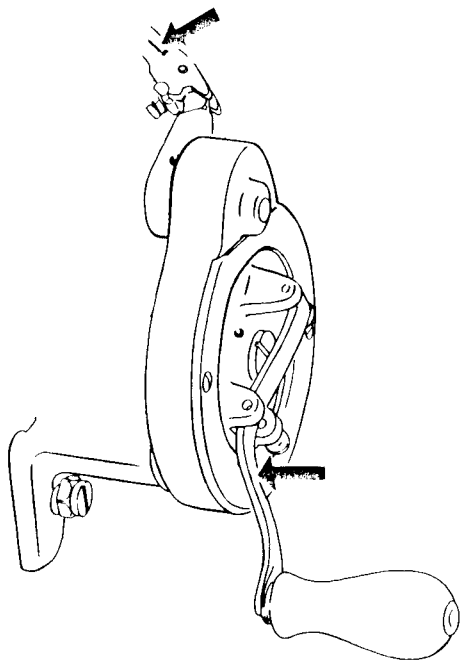
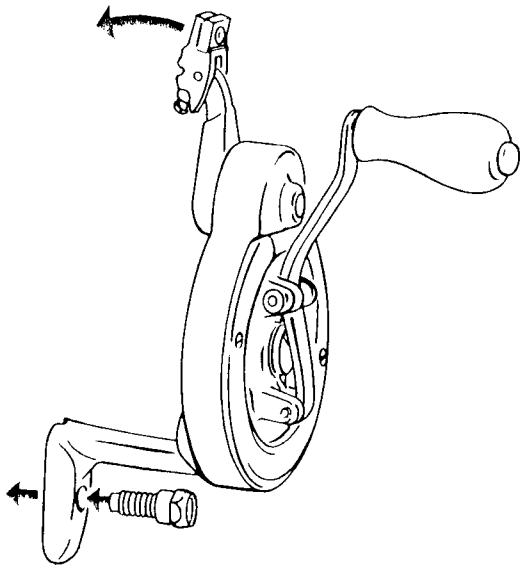
SEWING MACHINES

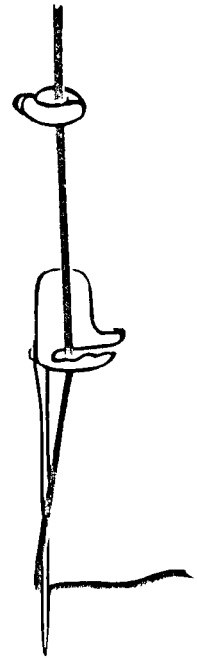
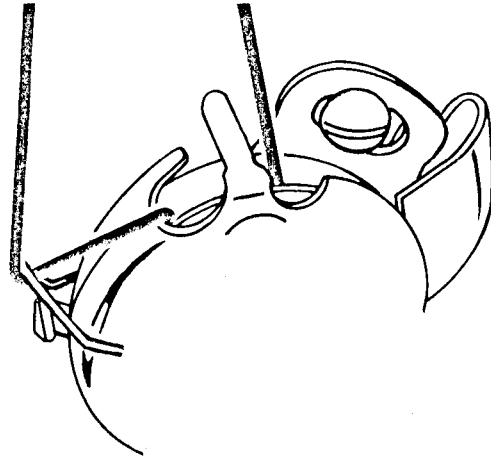
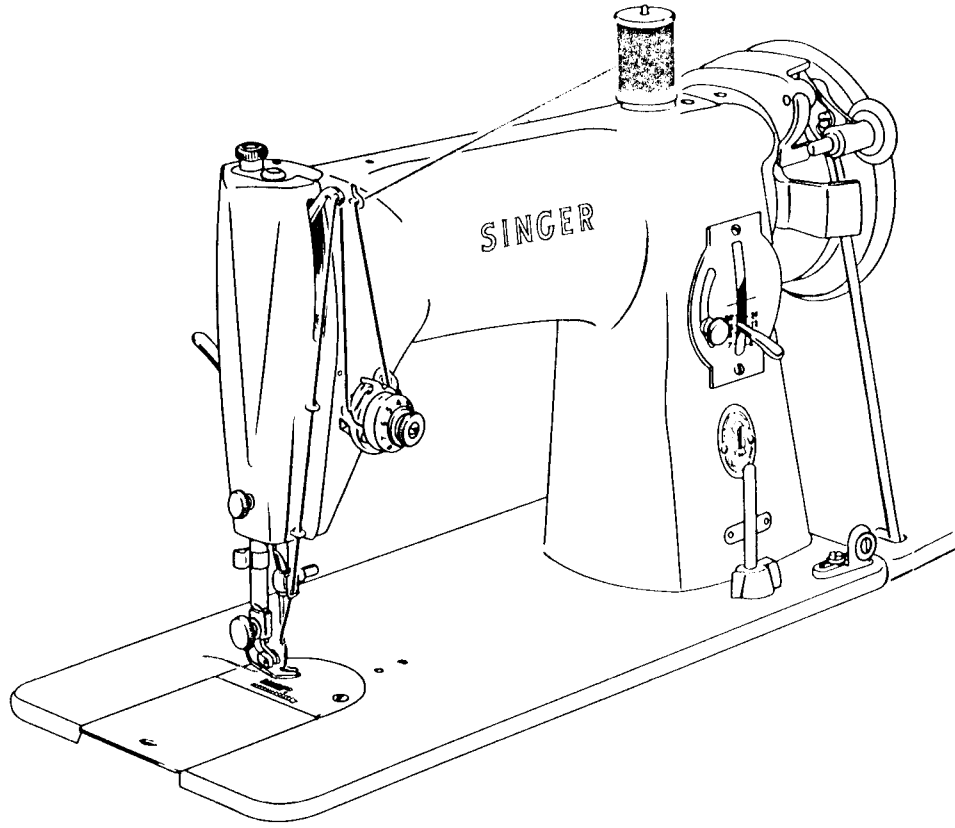
191K1, 191K2, 191K3

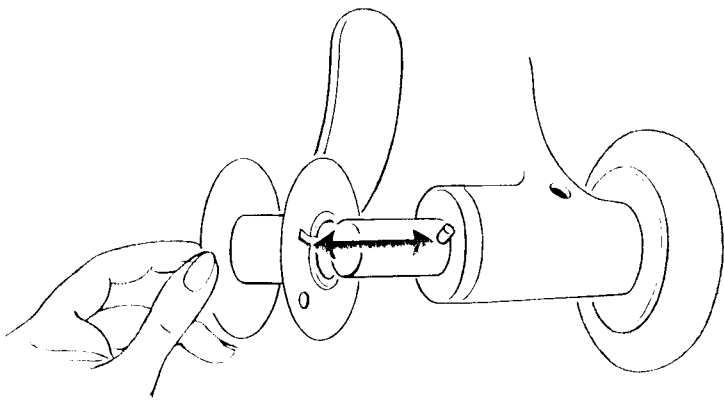
THE SINGER MANUFACTURING COMPANY

^{*}A Trademark of THE SINGER MANUFACTURING COMPANY

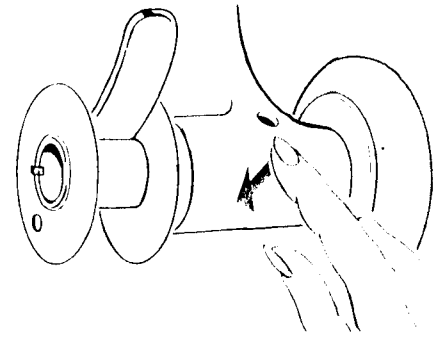
All Rights Reserved
Printed in Great Britain



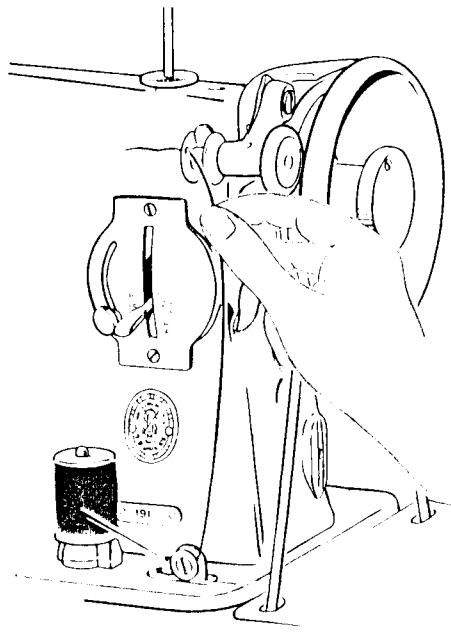




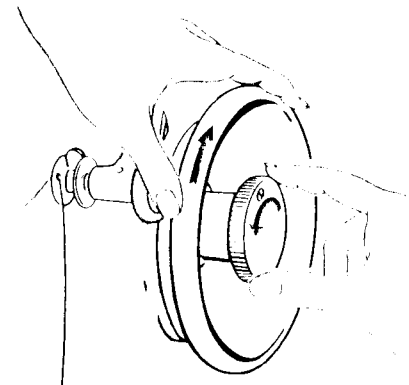
••



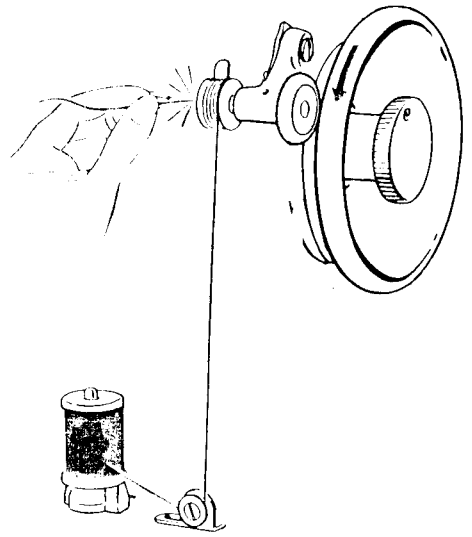
•••



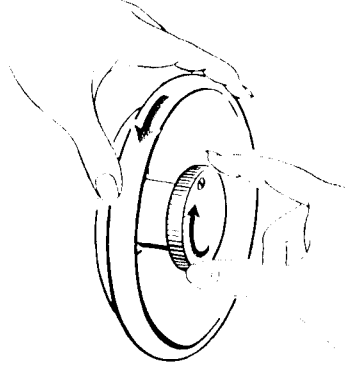
•••••

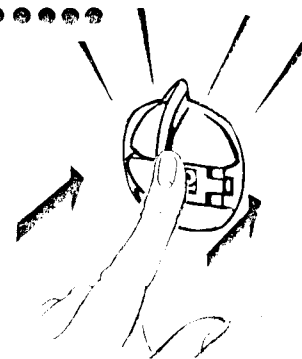
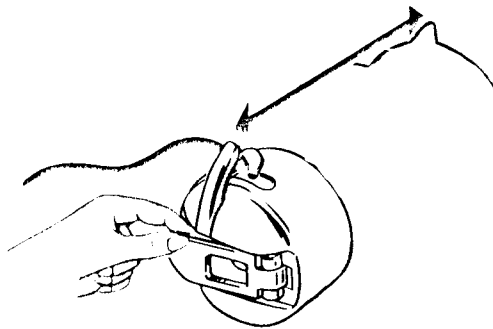
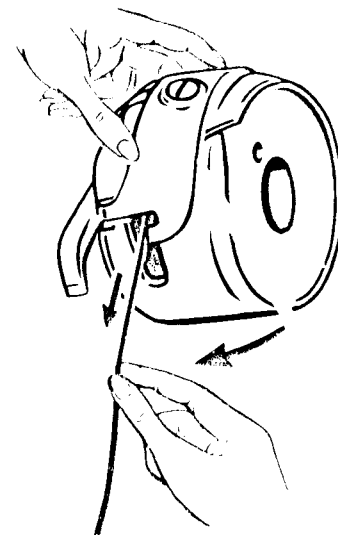
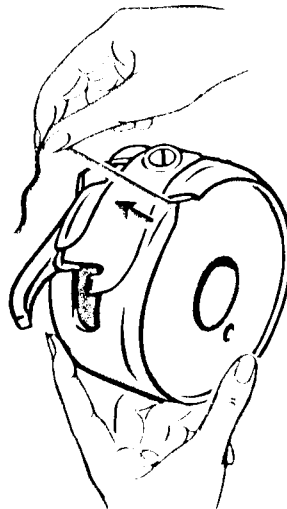
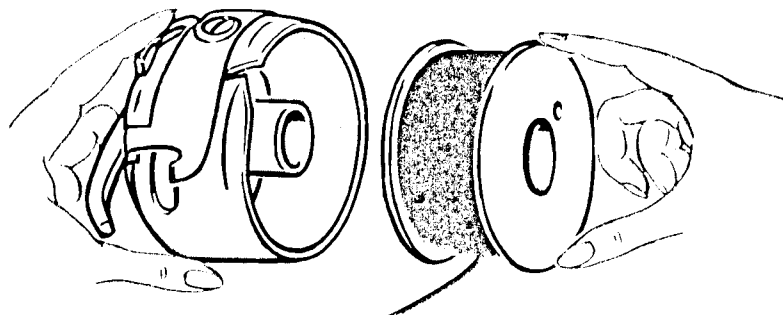
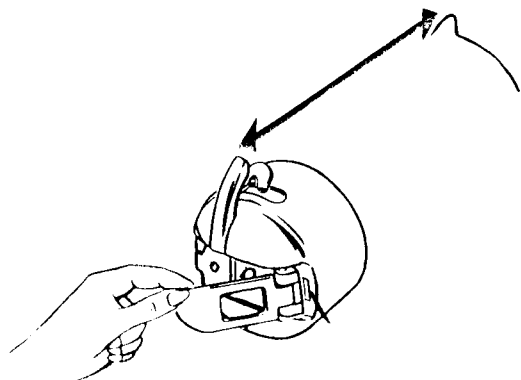
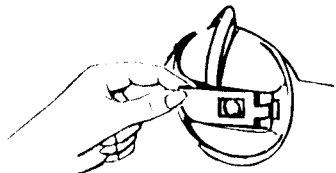
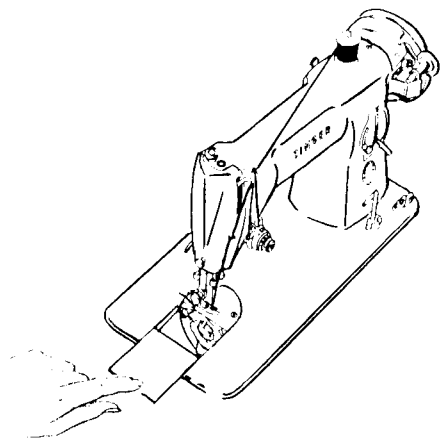


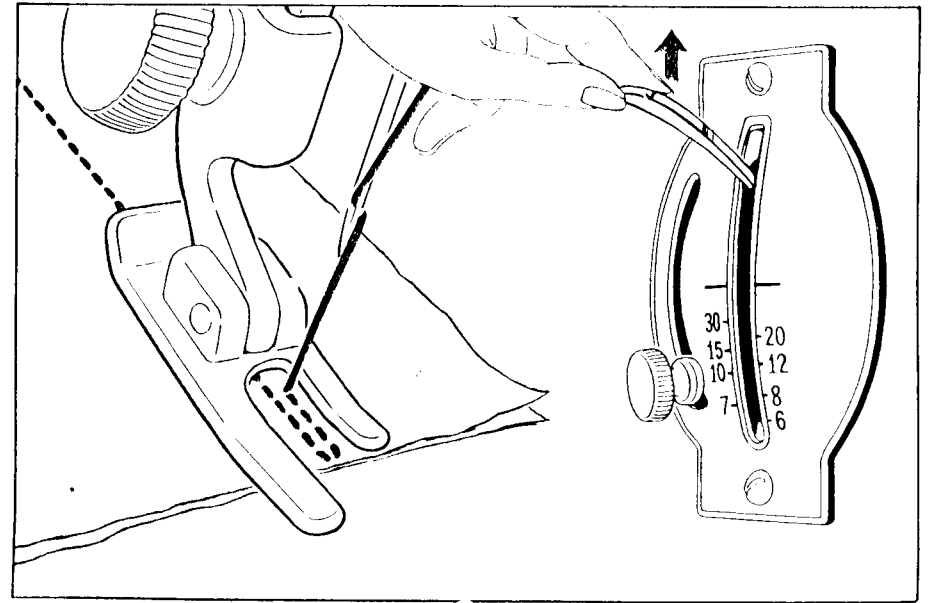
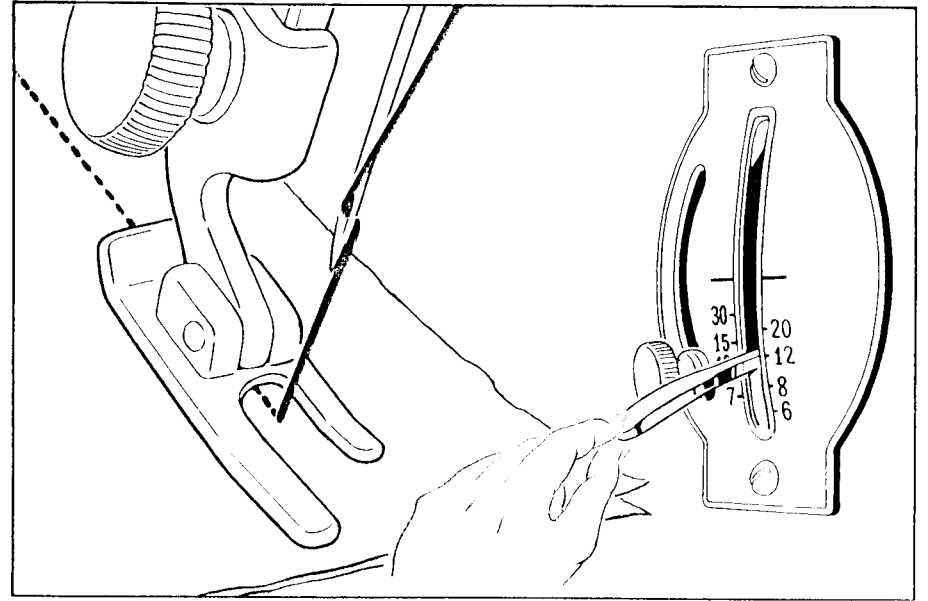
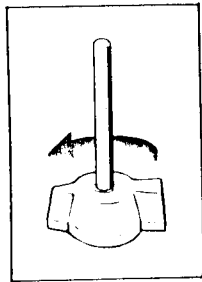
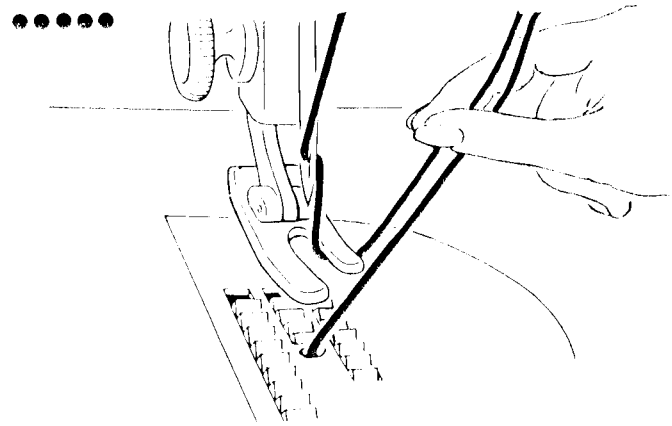
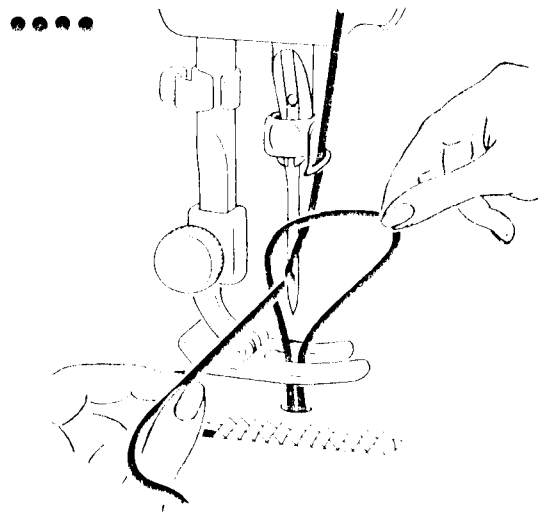
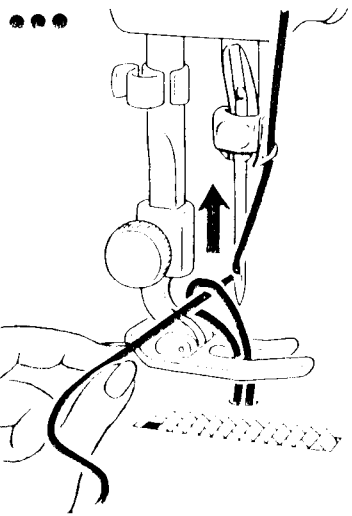
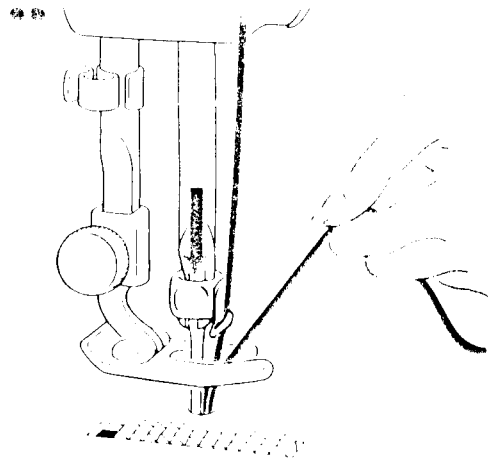
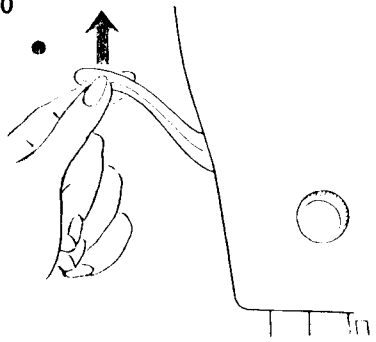
•••••

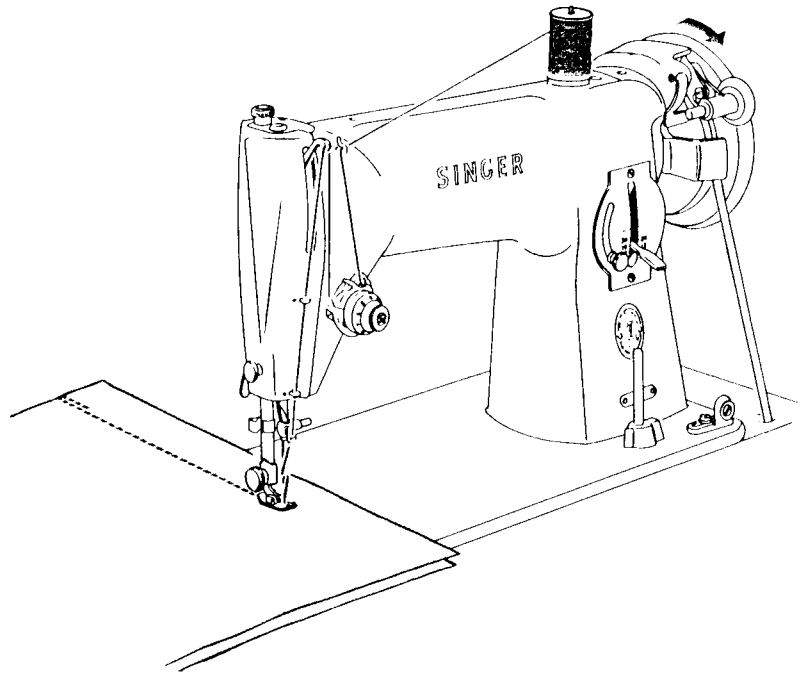
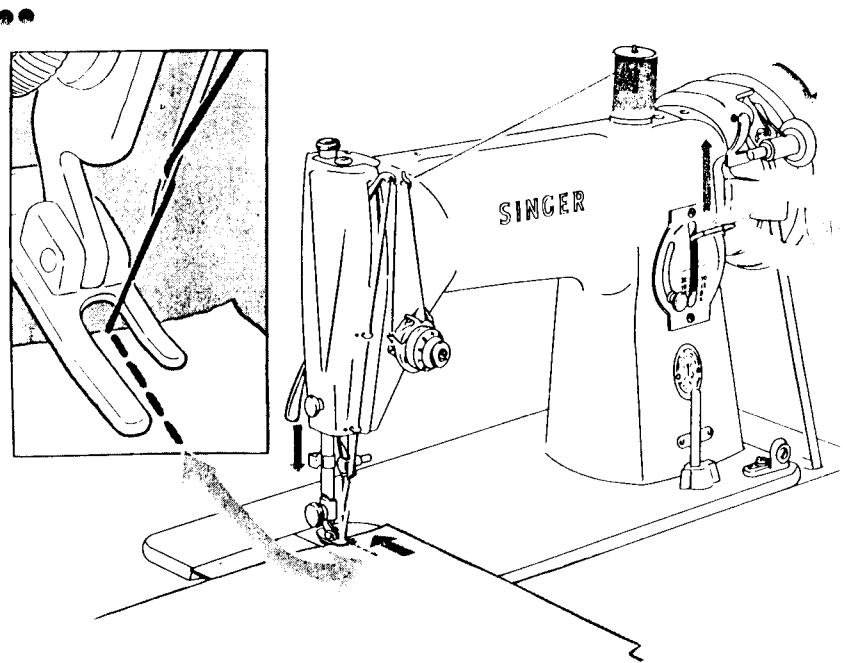
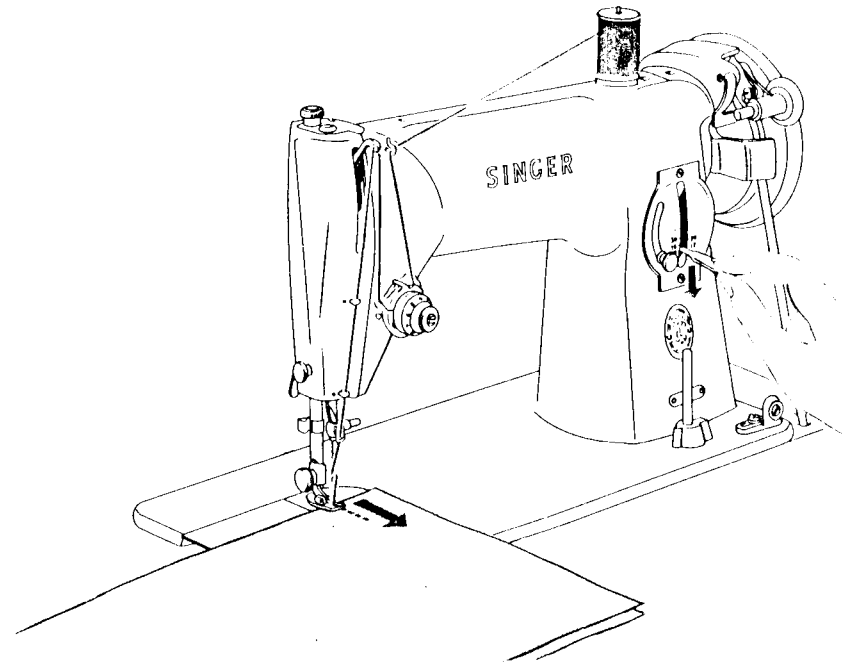
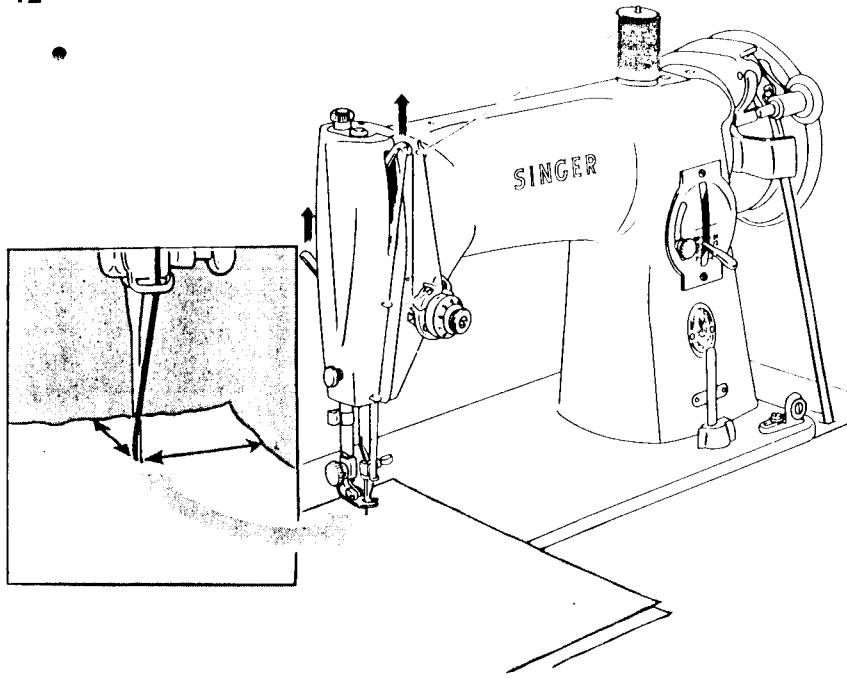


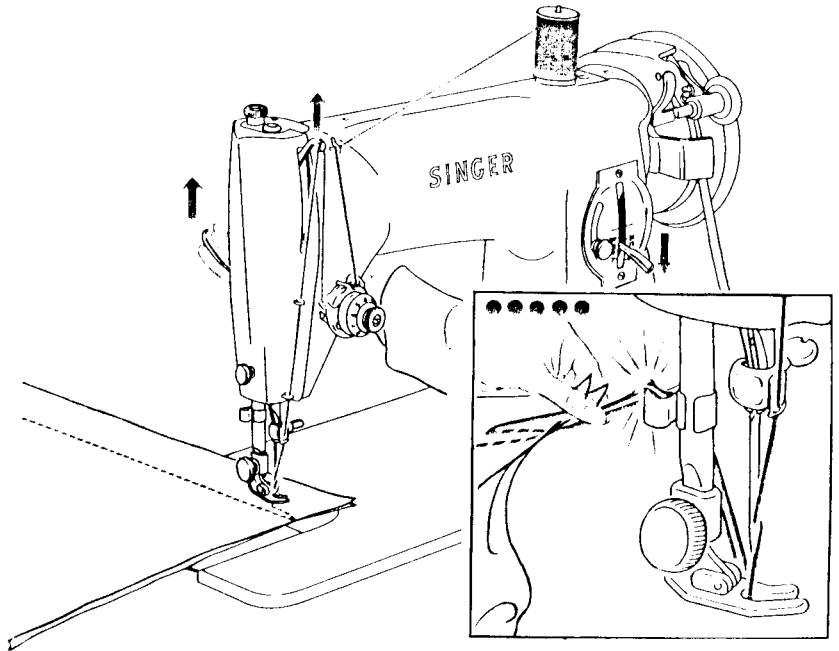
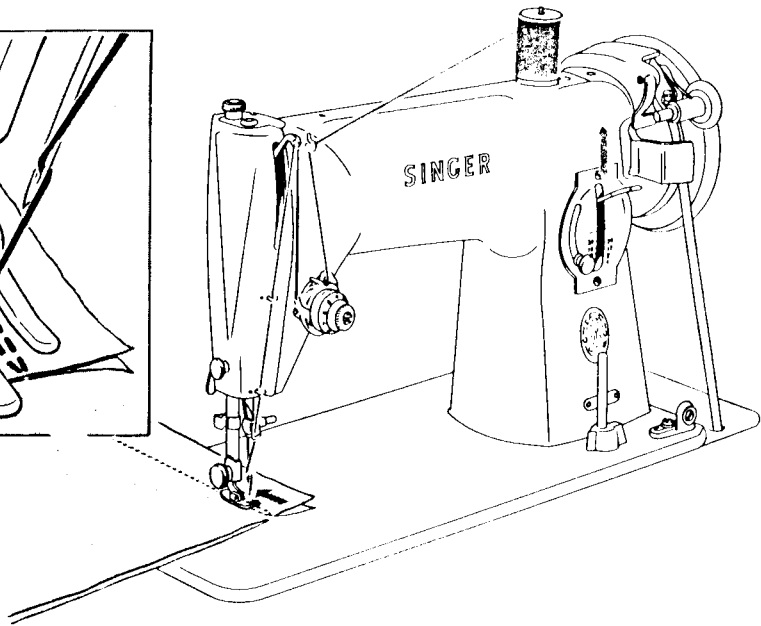
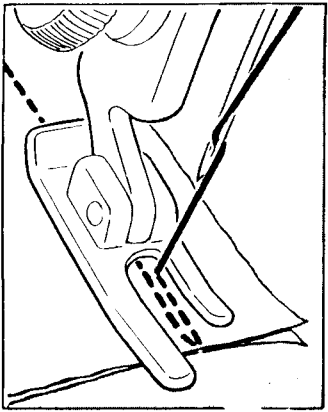
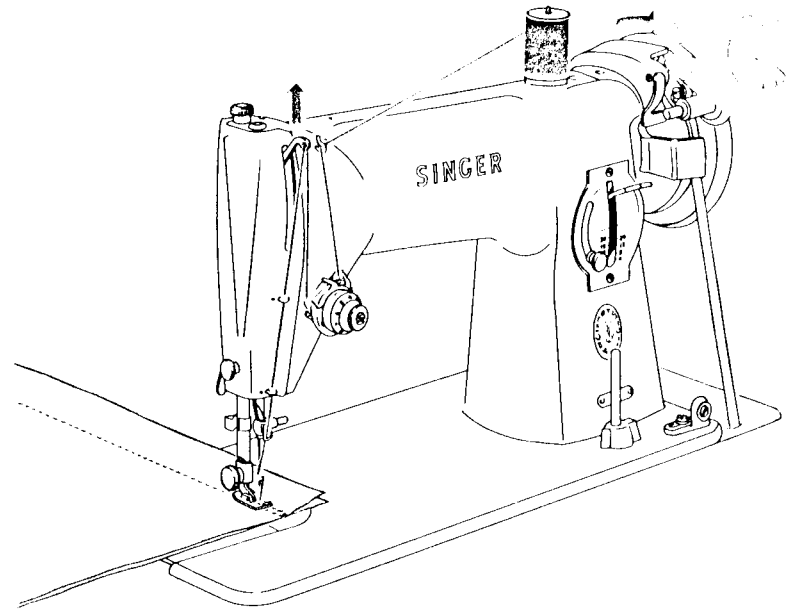
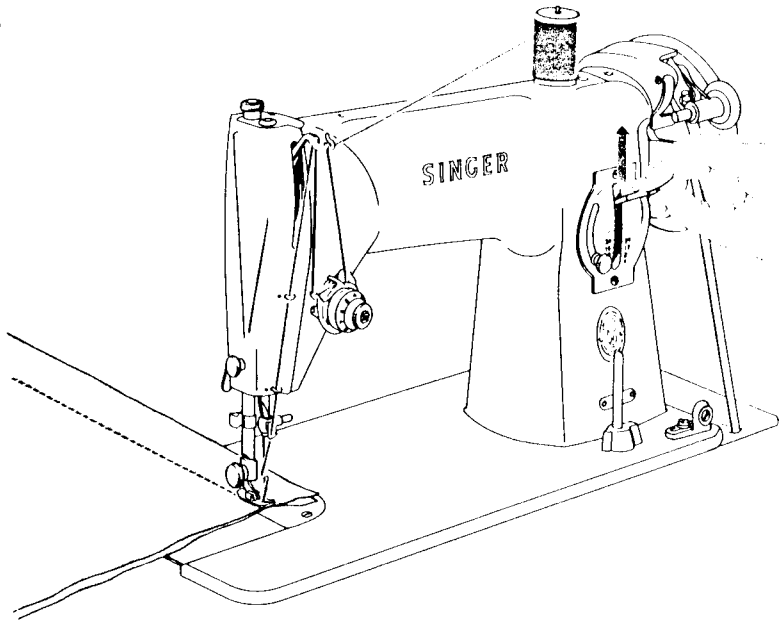
•••••

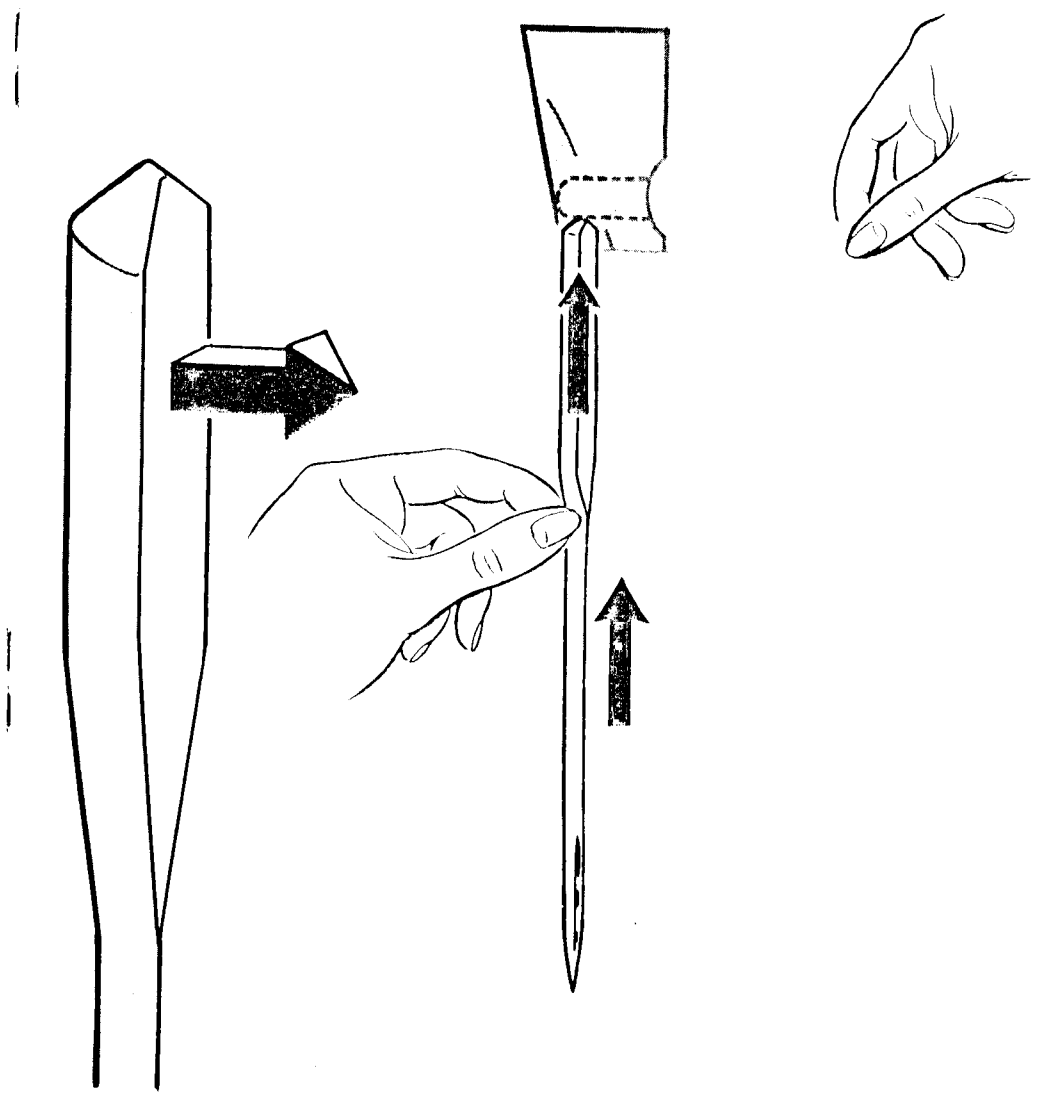
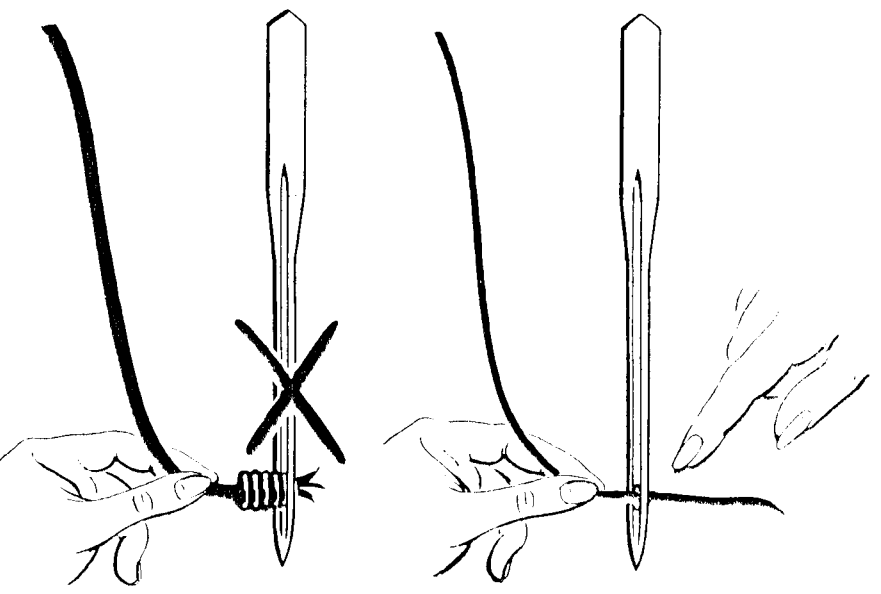
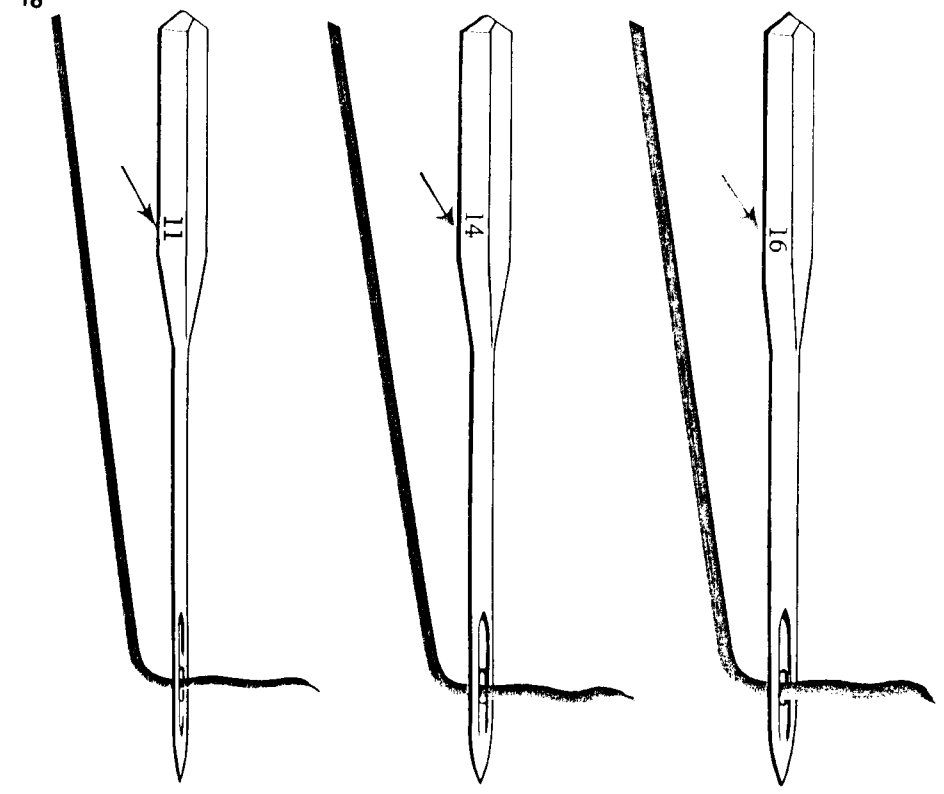


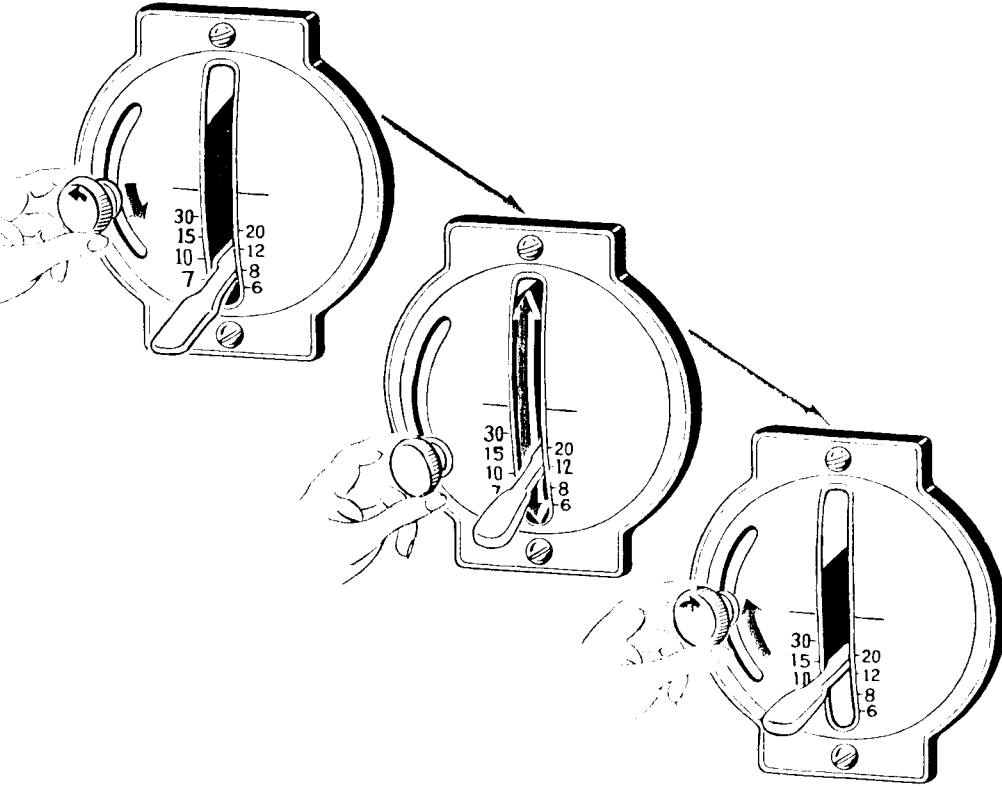
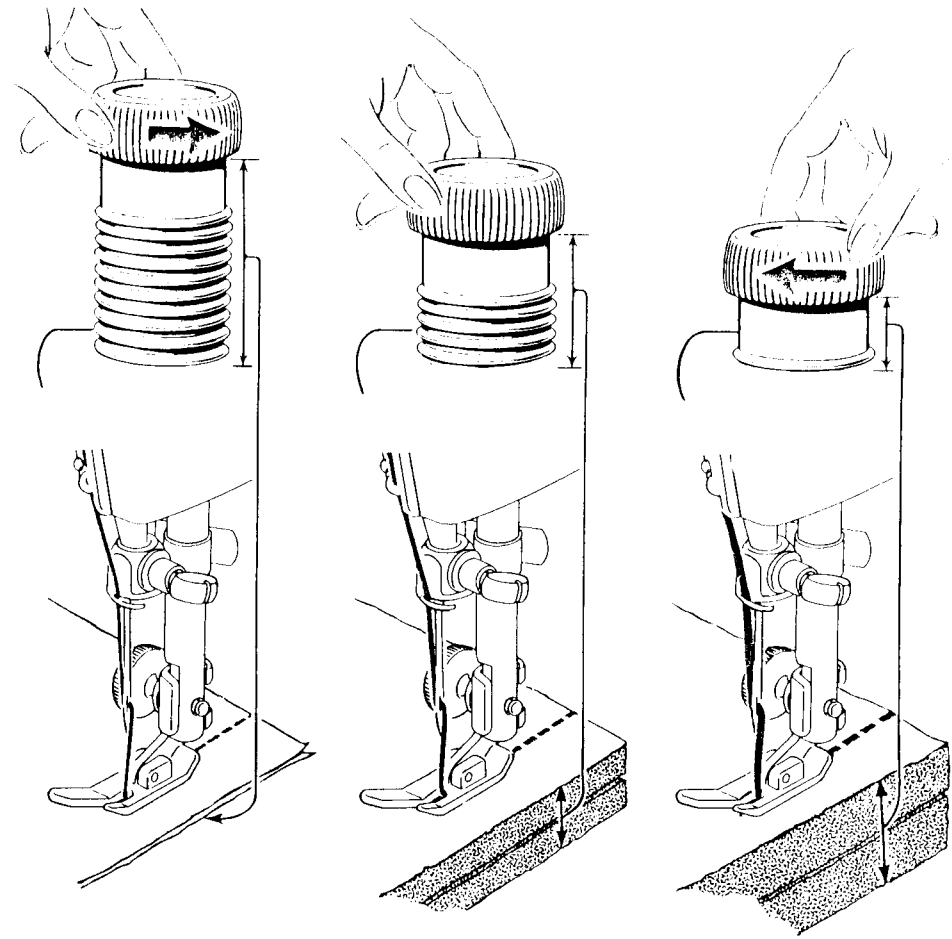
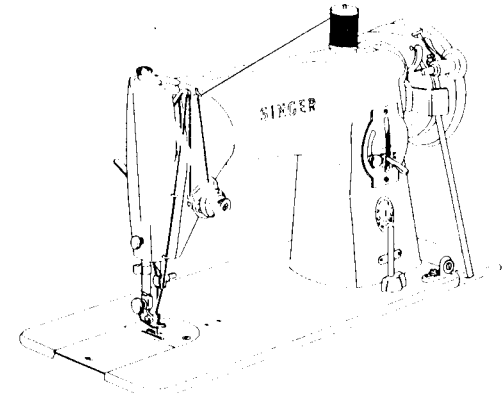
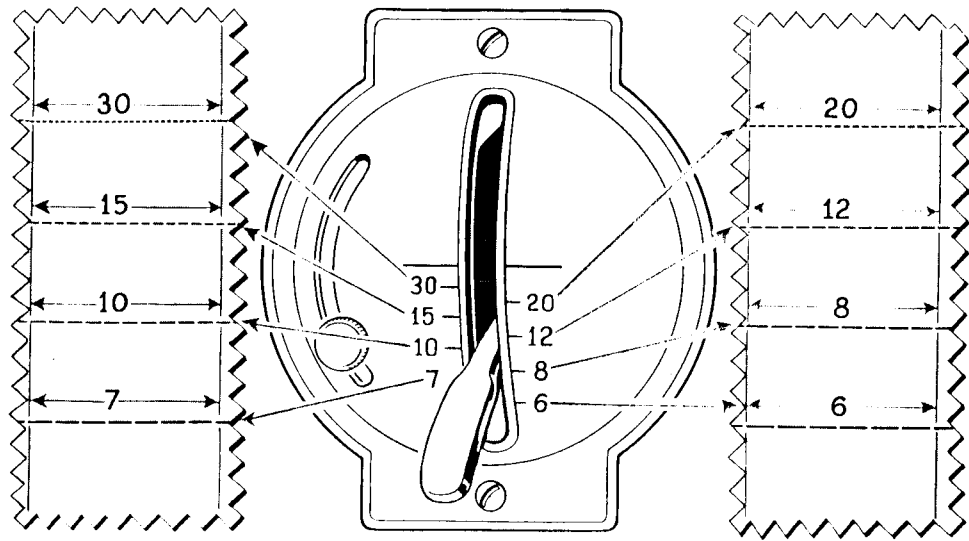


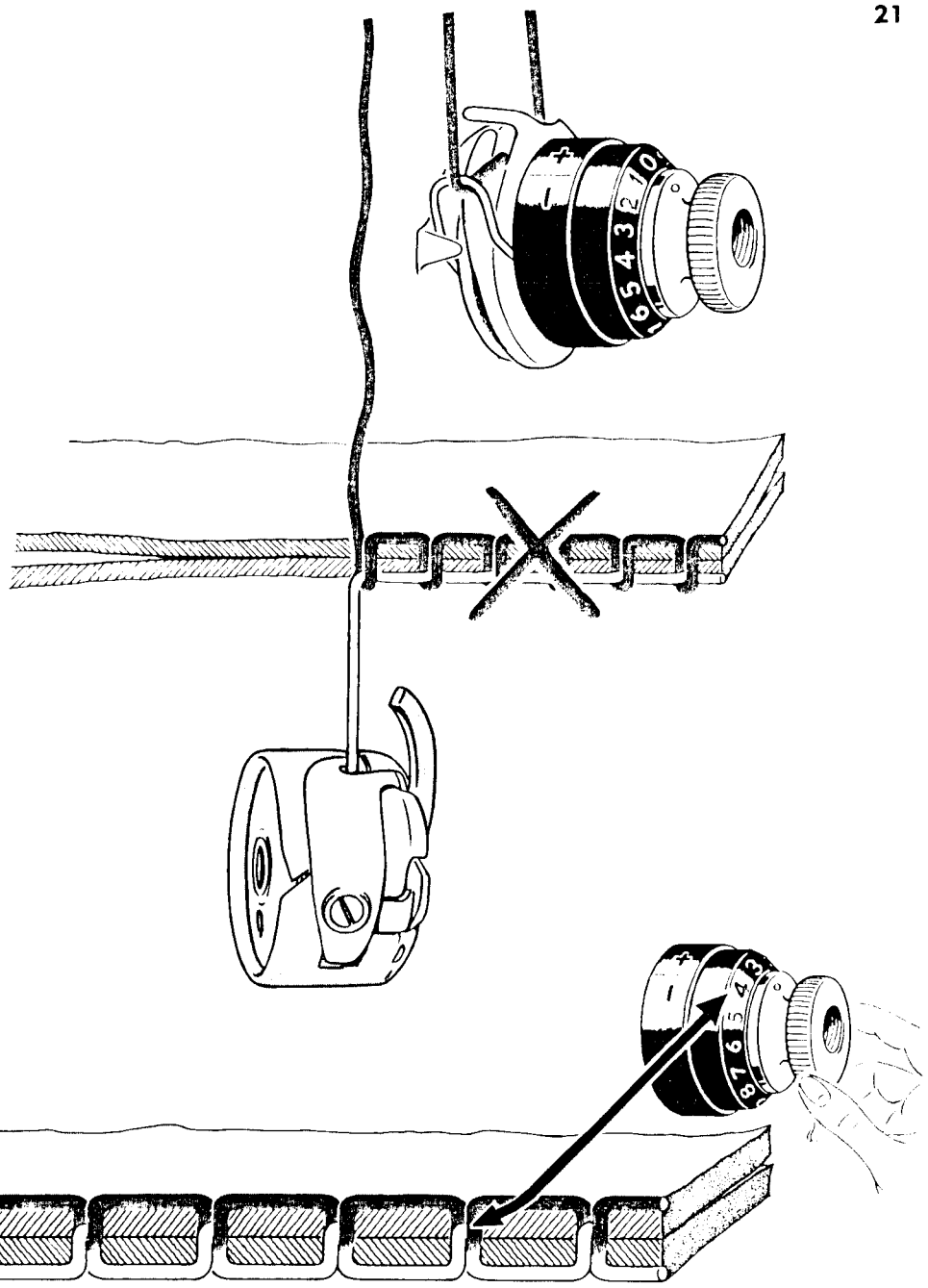
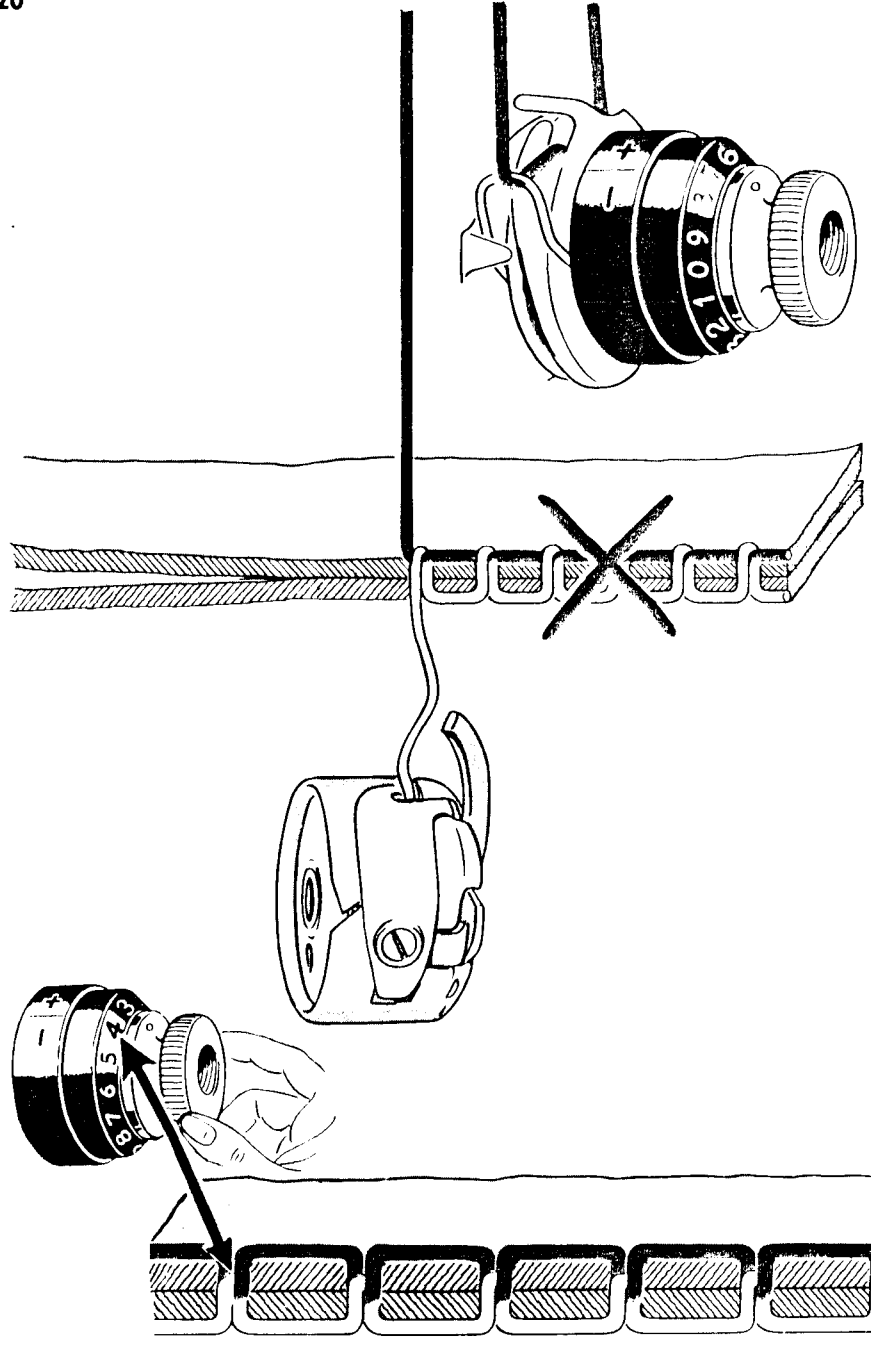


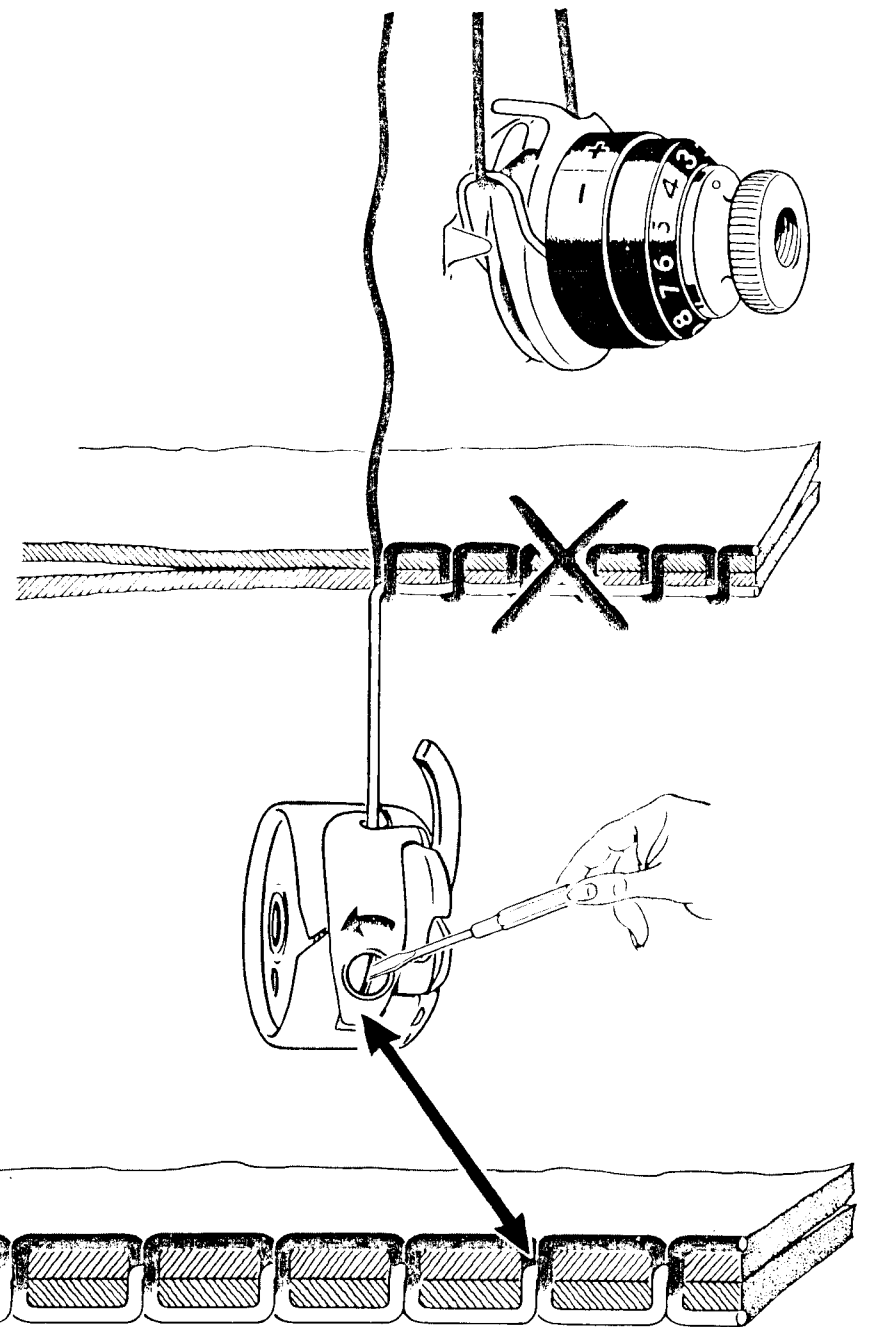
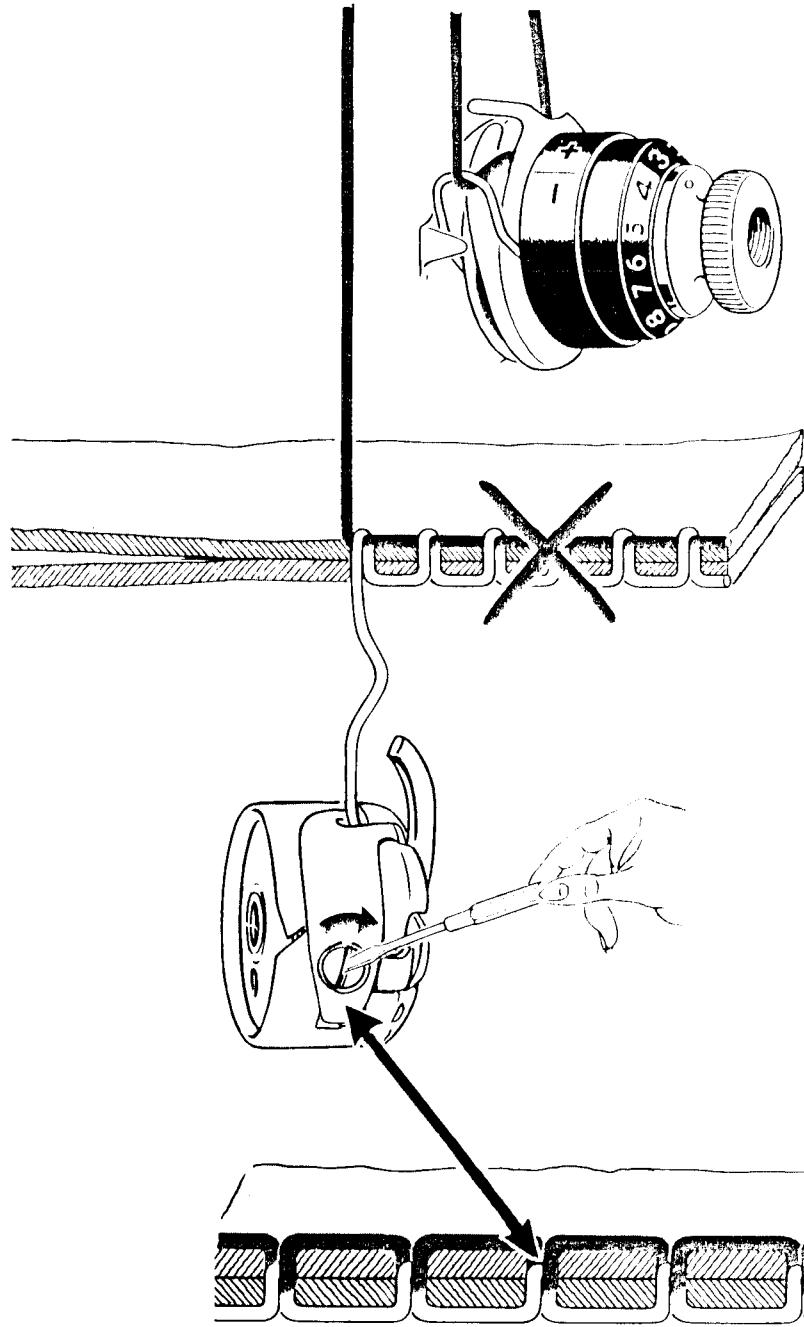


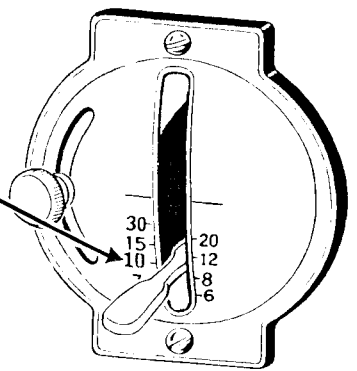
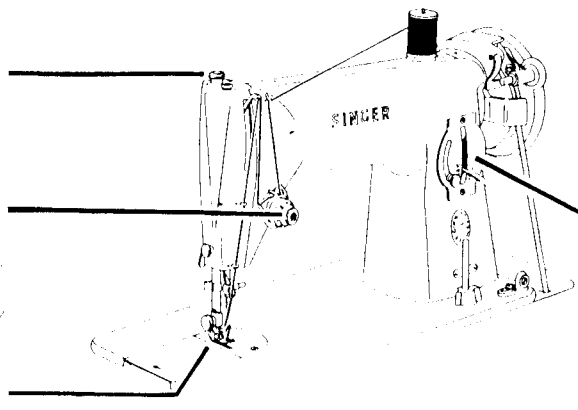
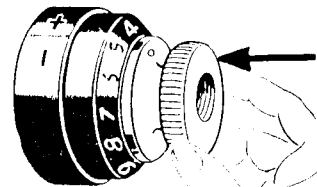
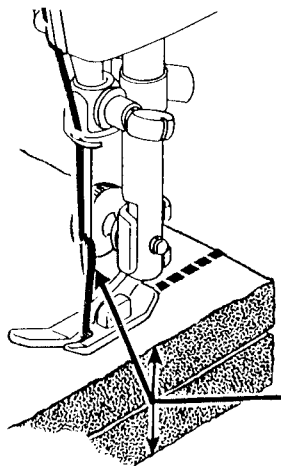
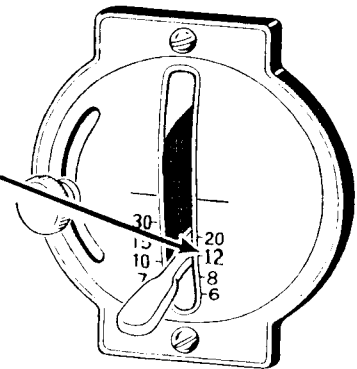
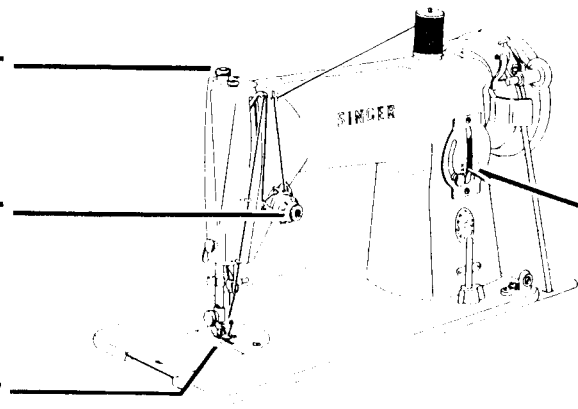
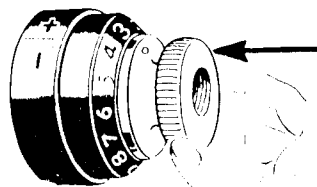
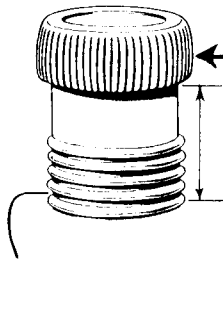
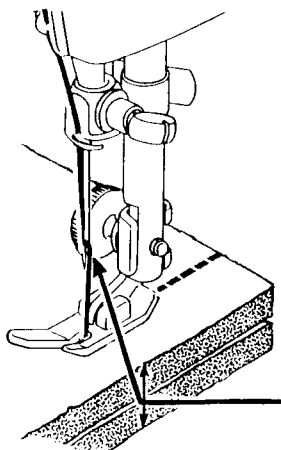
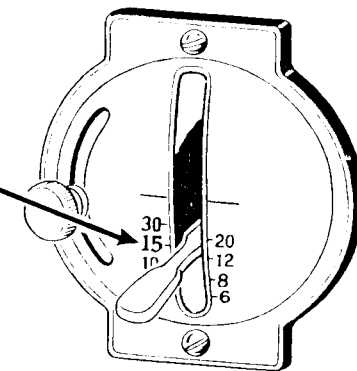
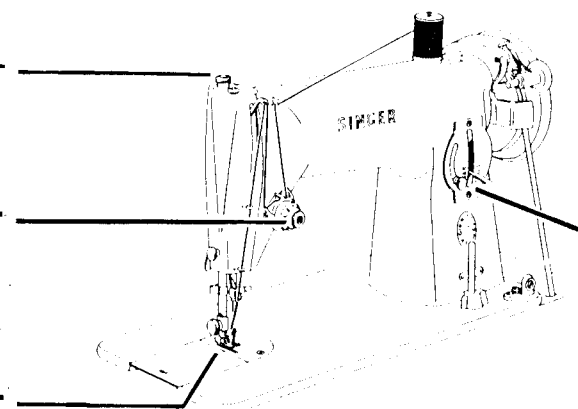
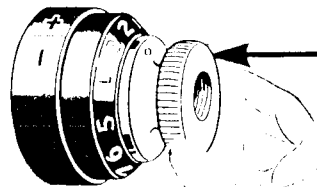
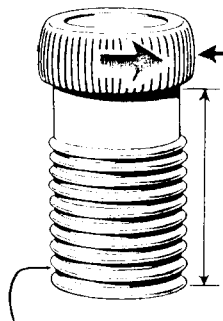
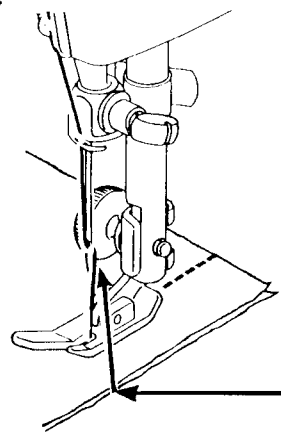


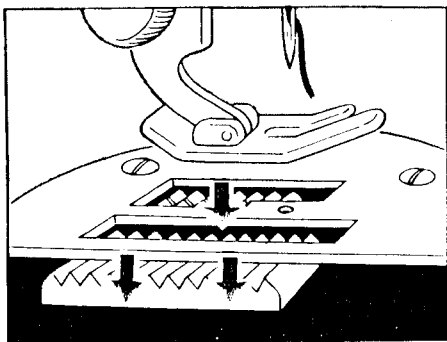
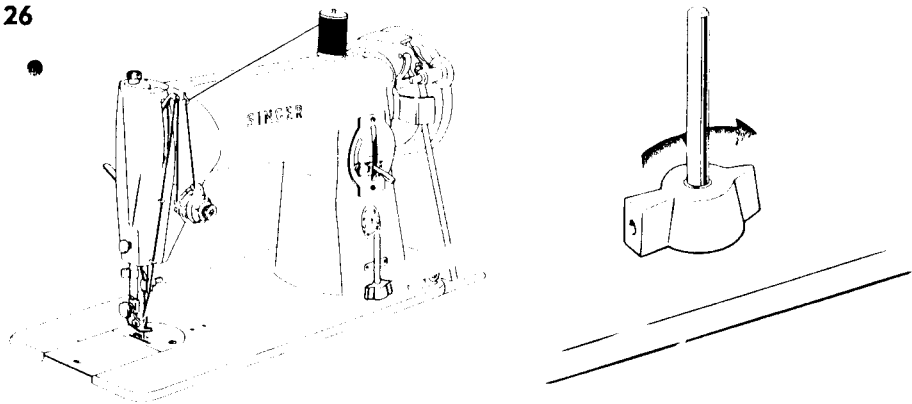












•••

